

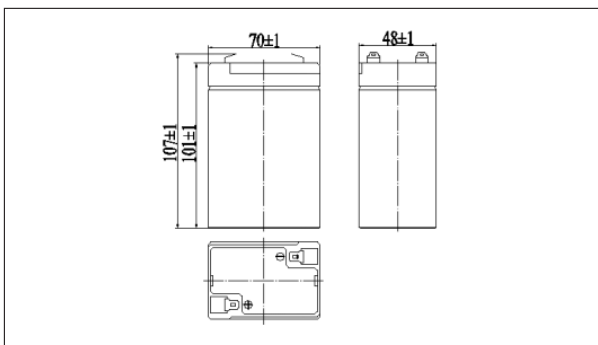
NP6-4.5Ah 6V4.5Ah



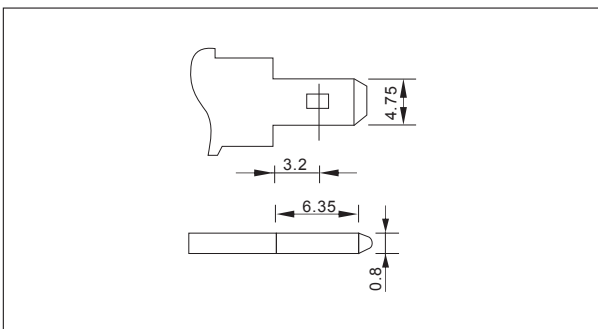
● **Specifications**

Nominal Voltage		6V
Rated capacity (20 hour rate)		4.5Ah
Dimensions	Length	70±1mm(2.76inch)
	Width	48±1mm(1.89inch)
	Height	101±1mm(3.98inch)
	Total Height	107±1mm(4.21inch)
Approx. Weight		0.76kg(1.68lbs)±5%

● **Outer dimensions (mm)**



● **Terminal Type (mm)**



● **Construction**

Component	Positive plate	Negative plate	Container	Cover	Separator	Electrolyte	Safety valve	Terminal
Raw material	Lead dioxide	Lead	ABS	ABS	AGM	Sulfuric acid	Rubber	Copper

● **Constant Current Discharge Characteristics Unit:A(25°C,77°F)**

F.V/Time	5min	10min	15min	30min	60min	2h	3h	4h	5h	10h	20h
4.80V	17.2	10.9	8.51	4.79	2.95	1.61	1.12	0.92	0.78	0.43	0.23
4.95V	16.7	10.6	8.30	4.70	2.90	1.60	1.11	0.92	0.78	0.42	0.23
5.10V	16.0	10.1	7.99	4.55	2.83	1.59	1.10	0.91	0.77	0.42	0.23
5.25V	15.3	9.69	7.72	4.44	2.77	1.56	1.09	0.90	0.77	0.42	0.23
5.40V	14.4	9.15	7.31	4.28	2.69	1.52	1.06	0.88	0.75	0.41	0.22

● **Constant Power Discharge Characteristics Unit:W(25°C,77°F)**

F.V/Time	5min	10min	15min	30min	60min	2h	3h	4h	5h	10h	20h
4.80V	95.9	61.4	48.5	27.5	17.1	9.43	6.63	5.49	4.69	2.56	1.37
4.95V	93.0	59.4	47.3	26.9	16.8	9.38	6.59	5.46	4.66	2.55	1.36
5.10V	89.2	57.1	45.6	26.1	16.4	9.29	6.54	5.42	4.63	2.53	1.36
5.25V	85.4	54.7	44.0	25.5	16.1	9.15	6.50	5.39	4.59	2.52	1.35
5.40V	80.6	51.6	41.7	24.5	15.6	8.92	6.30	5.22	4.46	2.47	1.32

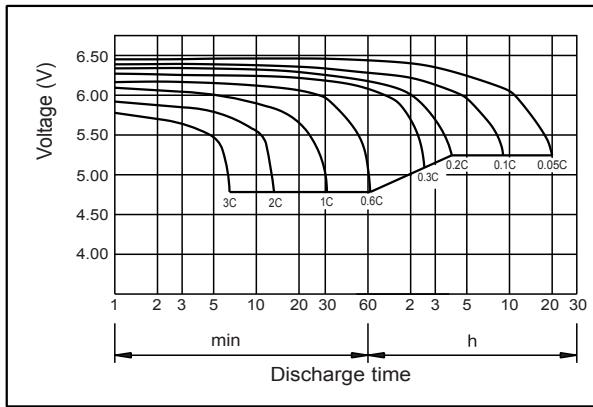
Note: The above characteristics data can be obtained within three charge or discharge cycles.

● **Characteristics**

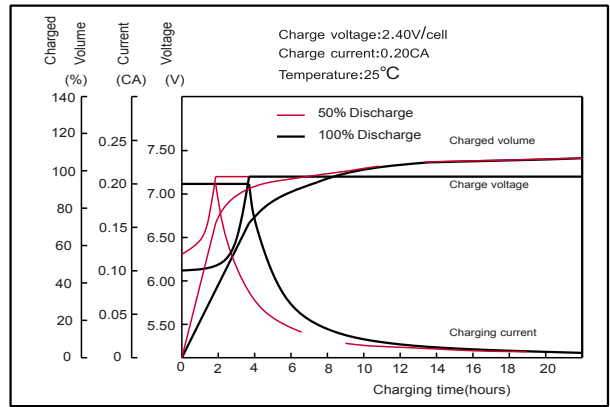
Capacity (25°C)	20HR(3.50V)	4.5Ah
	10HR(3.50V)	4.2Ah
	1HR(3.20V)	2.7Ah
Terminal type		T1
Internal resistance (Fully charged,25°C)		Approx.18m Ω
Capacity affected by temperature (20HR)	40°C	102%
	25°C	100%
	0°C	85%
	-15°C	65%
Self-discharge (25°C)	3month	Remaining Capacity:91%
	6month	Remaining Capacity:82%
	12month	Remaining Capacity:65%
Nominal operating temperature		25°C ±3°C(77°F ±5°F)
Operating temperature range	Discharge	-15°C~50°C(5°F~122°F)
	Charge	-10°C~50°C(14°F~122°F)
	Storage	-20°C~50°C(-4°F~122°F)
Float charging voltage(25°C)		6.80 to 6.90V Temperature compensation: -9mV/°C
Cyclic charging voltage(25°C)		7.25 to 7.50V Temperature compensation: -15mV/°C
Maximum charging current		1.35A
Maximum discharge current		68A(5 sec.)
Designed floating life(20°C)		5 years

NP6-4.5Ah 6V4.5Ah

● Discharge characteristics(25°C)



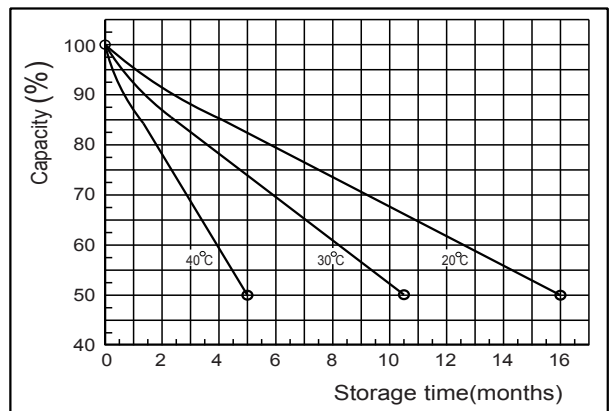
● Charging characteristics (25°C)



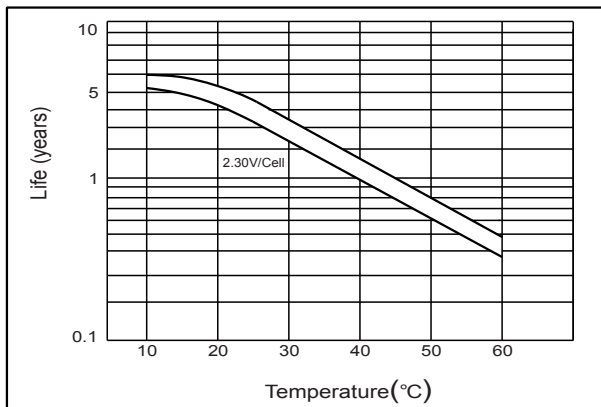
● Effect of temperature on capacity



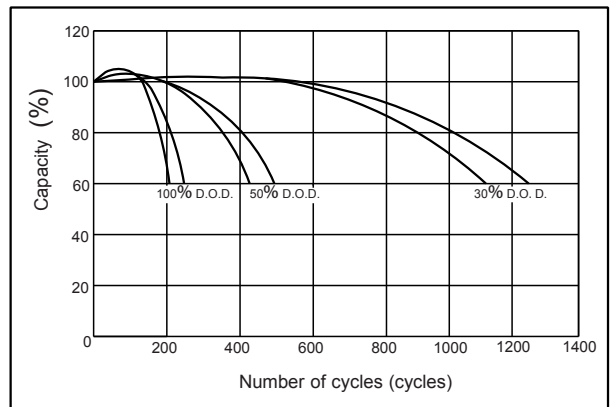
● Self-discharge characteristics



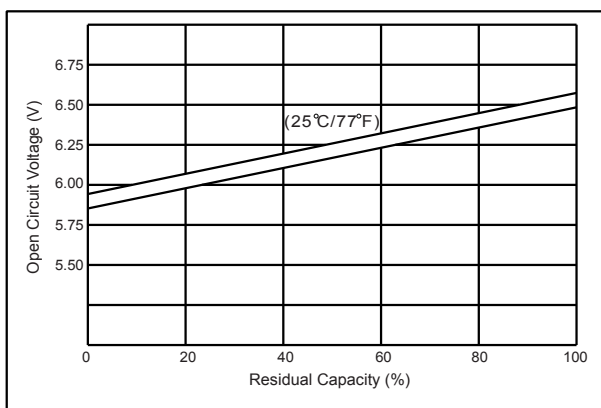
● Floating life on temperature



● Cycle life on D.O.D.(25°C)



● The relationship for OCV and Capacity (25°C)



● The relationship for Charging voltage and Temperature

